



# DigiTwin

Masco Group

A machine or even a plant can be fully simulated through a Digital Twin. For testing, training or pre-validating purposes, the model provide a significant advantage.



# 01

The main page reproduces the machine, every equipment and all the devices. Behind, there is the full dynamic model and the behavior of the object to provide a real-time hi-fidelity reproduction.



# 02

Additional parts of the plant can be simulated through options, to provide a standardized approach and the best modular way to test the machines.



# 03

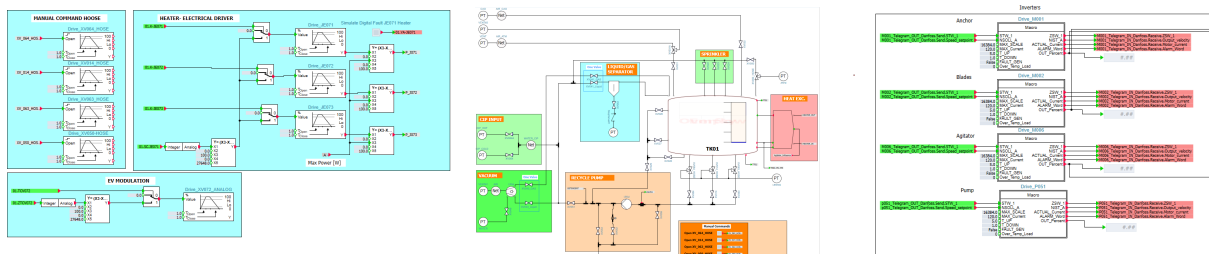
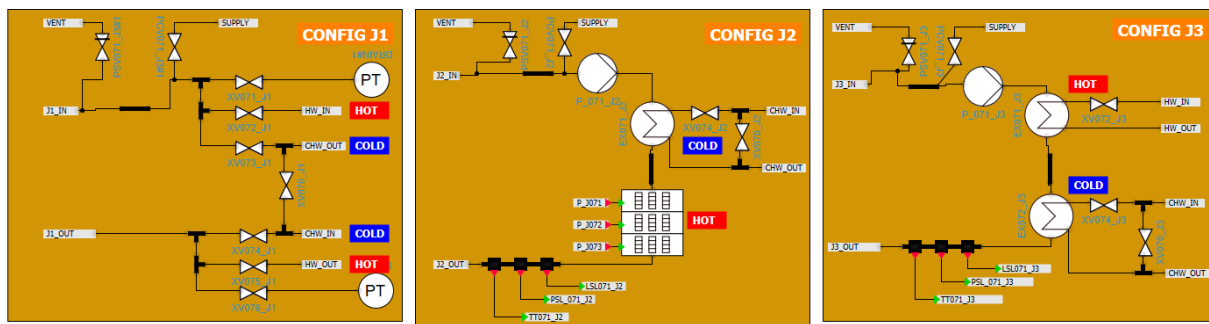
Every device, valves, motors or equipment, tanks, heat-exchangers, reactors, can be reproduced entirely, defining their thermo-dynamic process attributes and every digital status.



# 04

The model can be used to simulate or to build an offline training system, where the operators can work on the virtual model and get trained, without any risk to endanger people or assets.

Screenshot



## Benefit

Every time the machines need to be simulated in advance, the Digital Twin provides an effective way to proceed. From the validation of the specifications, through the test of the control system, up to the pre-validation of a Pharma application, there is a significant reduction of the overall release time, with less non-conformance costs and compressed commissioning times.